

SPECIALTY TRACTORS



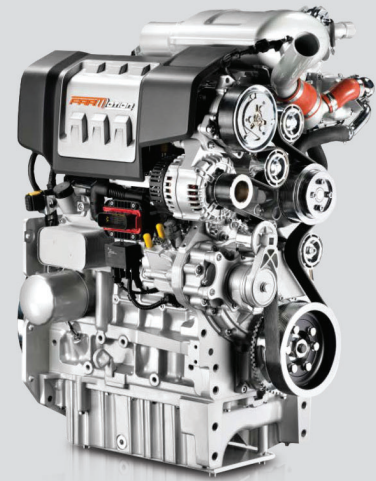
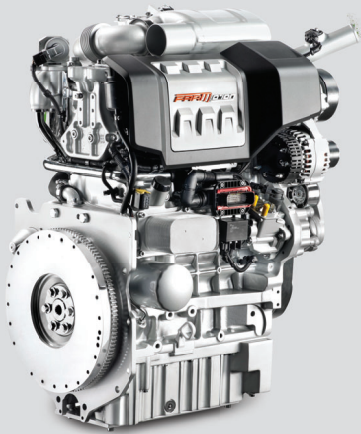
5DF ECOLINE
5DF/5DV SERIES
80F KEYLINE
LOW-PROFILE TB SERIES
KF CRAWLER



SOME OPTIONS AND/OR SPECIFICATIONS SHOWN MAY NOT BE AVAILABLE IN ALL MARKETS



AMERICA'S BEST RANGE OF SPECIALTY TRACTORS. PERFECT FOR FRUIT, NUTS, ORCHARDS, AND VINEYARDS. NARROW, LOW-PROFILE, PREMIUM AND ECONOMY.



SERIES	3 CYL. / 80 HP (GROSS)
Agroplus	80F Keyline
KF Crawler (narrow steel)	5080
KF Crawler (wide steel)	5080
KF Crawler (comfort track)	5080

SERIES	4 CYL. / 80 HP (GROSS)
5D V Series	5080.4
5D F Series	5080.4
5D F ECOLINE Series	5080.4
TB Series	5080G TB



**THE NEW 5DF, 5DV AND
5DF ECOLINE SERIES. THE GREATEST
MODEL CHOICE FOR MAXIMUM
PRODUCTIVITY.**



STAGE 4 (TIER 4 FINAL)	4 CYL. / 80 HP (GROSS)
5D V Series	5080.4
5D F Series	5080.4
5D F ECOLINE Series	5080.4

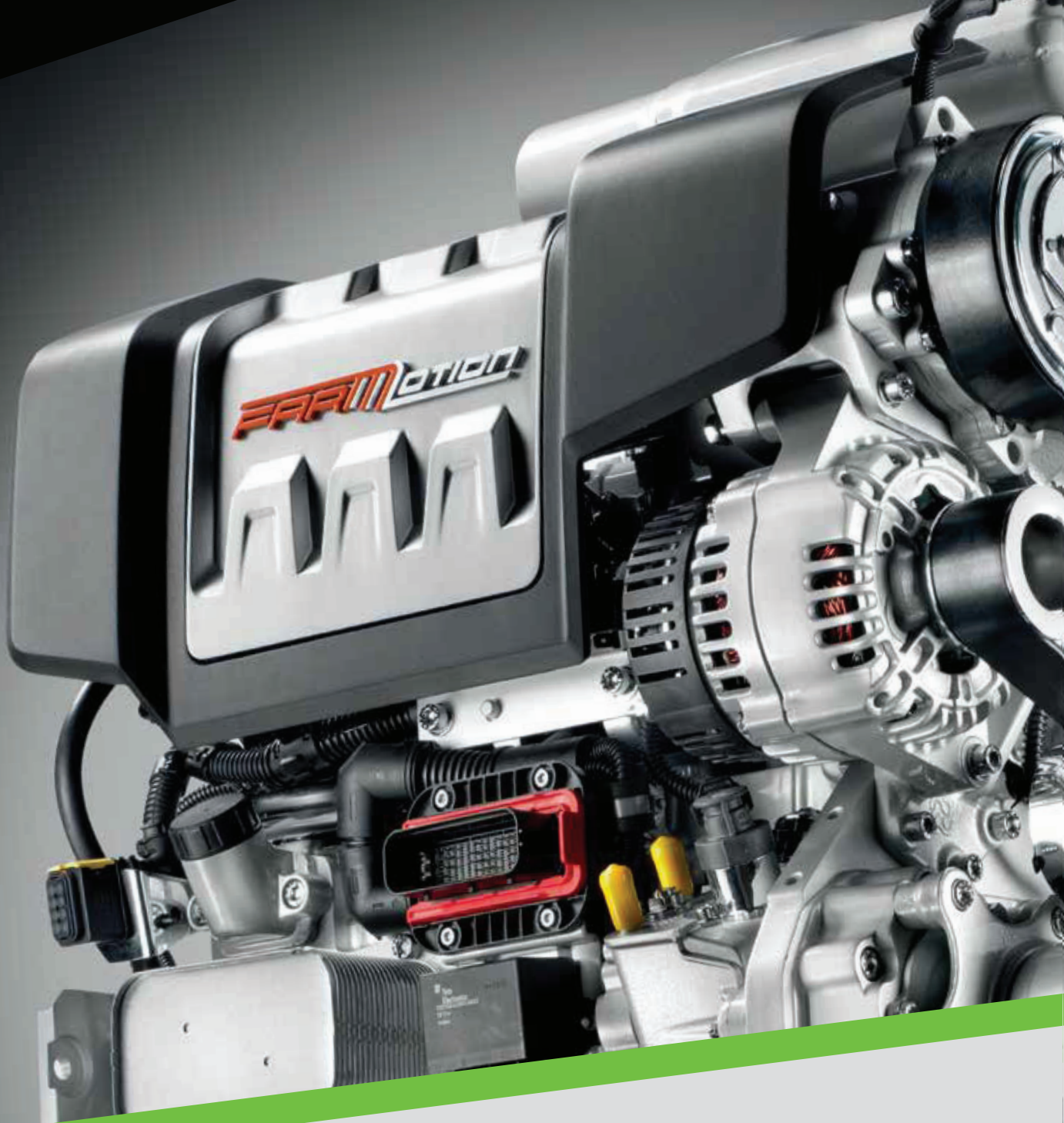
From vineyard and orchard work to nursery, landscaping and municipal applications, maximum productivity and flexibility are basic requirements of a financially successful business. With the 5DV, 5DF and 5DF ECOLINE series, DEUTZ-FAHR has released a new generation of highly innovative specialty tractors that meet the most exacting demands in terms of productivity and equipment flexibility. The front has been completely redesigned. The engines, cooling systems and fuel tanks are very compact under the revamped hood. Thanks in part to the new geometry of the front support, which ensures an axle steering angle of up to 60 degrees. In combination with a long wheelbase for

stability, this makes the new specialty tractors from DEUTZ-FAHR the most agile on the market – and they are also the most innovative with a variety of technical highlights, such as available independent suspension on the front axle, highly efficient FARMotion engines, 25 mph power shift transmission and diverse hydraulic options. With a single model in each configuration offering an output of 75 hp, and equipment options ranging from high-tech to economical, DEUTZ-FAHR presents the widest choice of models in this class. Every farm is able to find the right specialty tractor for its specific applications and driver comfort needs.

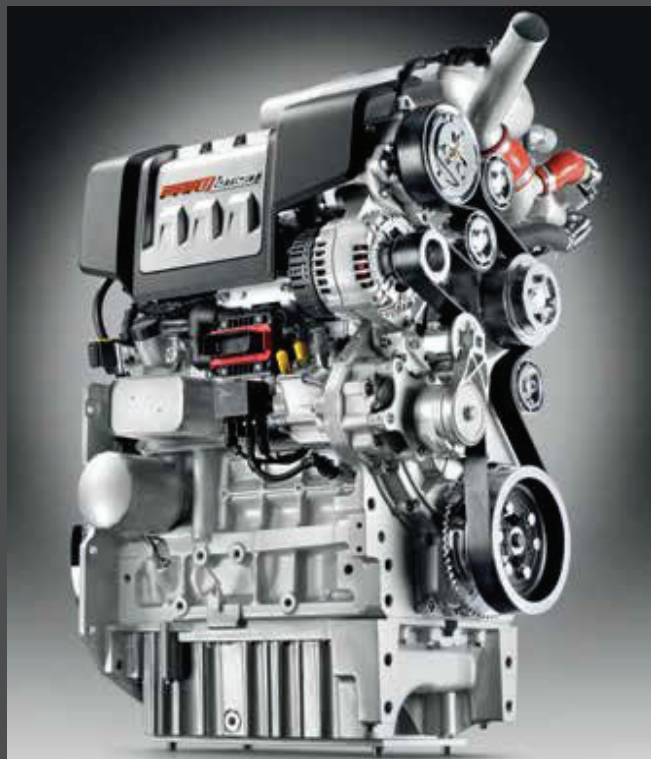




APPLES, CHERRIES, PLUMS, ALMONDS,
PEARS – WHATEVER THE CROP,
REDUCING OPERATING COSTS IS THE
KEY TO ORCHARD BUSINESS
GROWTH. THE NEW DEUTZ-FAHR
SPECIALTY TRACTORS GUARANTEE
THAT YOUR WORK WILL ALSO BEAR
FRUIT FINANCIALLY.



FARMOTION ENGINES.
MAXIMUM EFFICIENCY
IN A COMPACT UNIT.



Engine efficiency is aided by the large, newly designed cooling package, improved air flow and the Powercore air filter.



Exclusive DOC system. Meet all emissions standards without SCR or DPF, in a compact solution.



The fuel tank built into the front axle block can be filled with the hood closed, while an additional tank is located below the chassis.

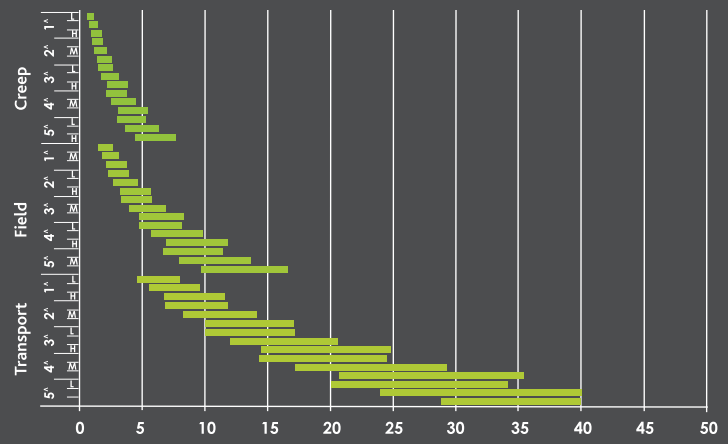
Hard at work under the newly designed hood are extremely compact 4-cylinder FARMotion Tier 4 engines. Specially developed for agricultural applications, these common rail engines feature electronic fuel injection with a pressure of 29,000 PSI, a new valve concept, enlarged cylinders, a new crankshaft design, an electronic exhaust gas recirculation (EGR) management system and a diesel oxidation catalyst (DOC) – all of which means they deliver maximum performance and constant torque even at low engine speeds. Fuel consumption, emissions, vibrations and noise have been minimized.

Other new features include a compact cooling system with an enlarged cooling surface, air-to-air intercooling, a fuel cooling system, an air-conditioning condenser, optimized air flow and a Powercore air filter with dust removal.

Both systems support engine efficiency and are designed for long maintenance intervals as well as fast, straight forward service work. The fuel tank is built into the front axle block and can be filled without opening the hood. It contains no less than 14.5 gallons. For extra fuel capacity, an additional tank can be included below the driver's platform, holding 10.6 gallons (5D F models) or 7.9 gallons (5D V models).



MAXIMUM GEAR RANGE. HOWEVER
YOU CHANGE GEARS, 25 MPH ECO
IS ALWAYS POSSIBLE.



* speed limits to 25 mph (40 kph)



Power shift. Change gears at the push of a button without depressing the clutch.



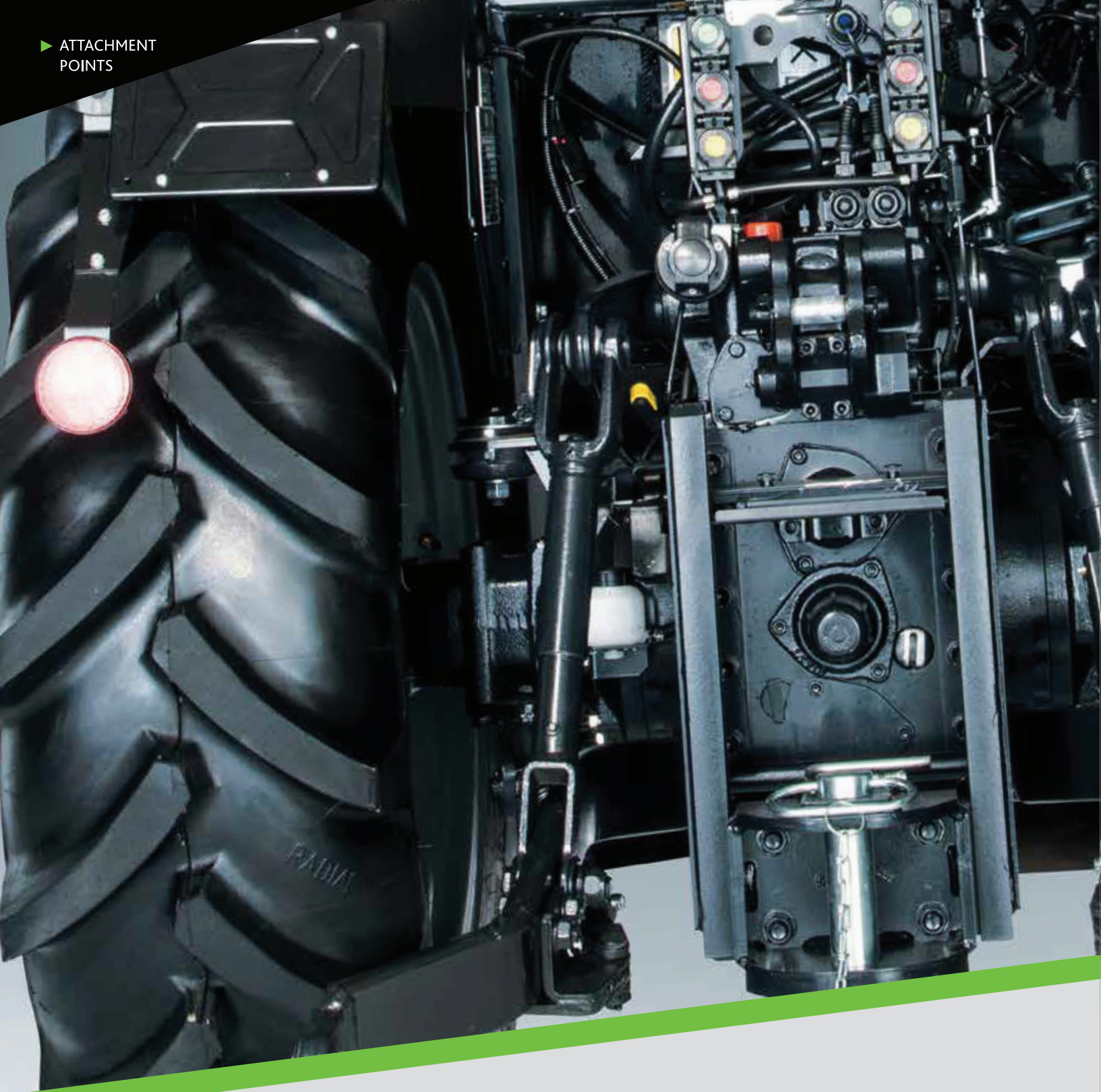
Power shuttle. Change the direction of travel with a single touch.



Stop&Go. Start and stop the vehicle in comfort without using the clutch pedal.

The transmission systems of the new DEUTZ-FAHR specialty tractors have also been specially developed to meet the high demands of modern agricultural businesses. Efficiency, versatility and equipment flexibility were the most important criteria here. The 5D F&V feature a three-stage Powershift. The three-stage PowerShift transmission with five gears is unique in this tractor class. It provides up to 45 forward and 45 reverse gears. For greater driver comfort, gear changes can be carried out at the push of the ComfortClutch button on the gear shift lever without any need to depress the clutch. The Stop&Go system (power shuttle only) allows a convenient starting and stopping without using the clutch pedal. Choose the transmission system that provides a perfect fit for your work profile and comfort needs. A mechanical five-speed transmission is available with up to 45 forward and 45 reverse gears. The 5DF Ecoline models are fitted with this system as standard. A speed of 25 mph ECO can be achieved with all models using any tires. The 'overspeed' concept vastly reduces fuel consumption and noise levels during transport operations. Maximum efficiency and optimal driver comfort are the result.

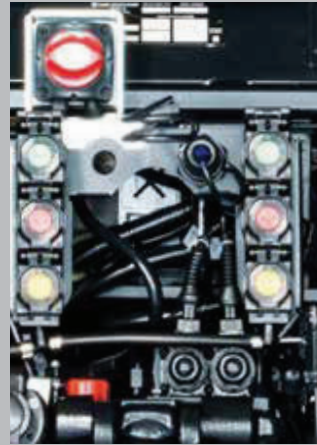
The 5DF Ecoline comes standard with a heavy duty dry traction clutch, and a 30+15 speed transmission with creeper range.



**TRIPLE INDIVIDUALITY:
ATTACHMENT AREAS AT THE FRONT,
IN THE MIDDLE AND AT THE REAR.**



Front attachment points. Equipped for every application.



Up to 3 hydraulic remote valves at the rear and 2 sets of couplers near the front.



Controls for the rear power lift and hydraulic working equipment: close together and easy to access.

From vineyards to orchards, from tilling the land to tending and harvesting crops, and from municipal winter service to road and site maintenance – versatility and adaptability is a strength of the new DEUTZ-FAHR speciality tractors. With up to 6,160 lb lift capacity at the rear and 3,300 lb at the front, all possible combinations of equipment can be easily moved. The rear power lift can be electronically controlled if desired. For all 5DV and 5DF models, two separate hydraulic circuits provide a full flow rate for operating equipment, power lifts and tractor functions. The standard pump capacity is 14.2 gpm and three spool valves at the rear. An optional 16.9 gpm tandem pump is available for the parallel operation of a rear power lift and up to six remote valves at the front and rear. Our standard hydraulic system on the V & F is 16.9 gpm and three control valves at the rear. External operation of the rear lift from the wing makes attaching work equipment a safe and straightforward

procedure. The choice of PTO functions is also highly varied. Three PTO speeds are standard as a matter of course at DEUTZ-FAHR: 540, 540E and 1000. The PTO is activated using a button and electro-hydraulic controls. This guarantees a smooth start without jerks. the 5DF Ecoline is only available with a 540 speed rear PTO.



DEUTZ-FAHR COMFORT CAB.
FOR THE BEST POSSIBLE
PERSPECTIVES AT WORK.



Seven ventilation nozzles ensure a pleasant working environment – even during long working days.



The air conditioning and working headlight controls are easy to reach in the roof.



Mechanical or pneumatic suspension seat option availability.

Cab comfort has not been a mere luxury for specialty tractors for some time. A more pleasant working environment means less severe environmental factors such as cold, heat, dust, crop protection agents and noise – and longer periods of concentration and performance for the driver. The four-post cab of the new specialty tractors meets the highest DEUTZ-FAHR standards. Maximum visibility in every direction, covering all areas relevant to work and safety, is ensured by the one-piece windshield. Outside, the cab is compact and slim. There are no sharp edges that could damage crops. Inside, a cutting-edge design and high-quality, light materials create a positive atmosphere. The interior is calm and peaceful. With numerous noise-absorbing elements and other technical details, the engineers at

DEUTZ-FAHR have succeeded in minimizing noise inside the cab. The air conditioning system is powerful, and the air distribution absolutely even. Seven adjustable ventilation nozzles keep the driver's preferred temperature constant in all parts of the cab at all times. There are new seat options for the driver, including a choice of various versions with different suspension concepts, materials and settings.



MAXIMUM COMFORT.
A PLEASANT SEAT FOR EVERYONE.
AND EVERY MOVEMENT.



InfoCenter. All tractor functions clearly in view.




Hydraulics and rear power lift controls. Neatly arranged to the right of the seat.



Mechanical rear lift levers, functional and ergonomic.

Tall drivers, short drivers, slim drivers, well-built drivers, long arms and legs, short arms and legs – especially when it comes to extremely compact speciality tractors, designing the interior is a major challenge. The development team at DEUTZ-FAHR have overcome these difficulties with flair. Every driver can find the perfect working position in the new speciality tractors. The highest level of comfort begins with a wide door opening angle that makes getting in and out easy. A wide range of settings ensures the optimum seat position for the driver. All of the controls are within easy reach, arranged according to how often they are used and clearly color coded. Orange is used for everything related to driving the tractor, from changing gear to the Stop&Go function and electronic parking brake. All of the hydraulics controls are blue. The power lift controls are green, while yellow is used for PTO functions.

Black indicates lights and air conditioning controls. The InfoCenter on the dashboard constantly provides the driver with clear information about the tractor's operating conditions using analogue and digital displays. It only takes a few minutes to get to grips with operating the new DEUTZ-FAHR speciality tractors before tackling the job in hand. Intuitive, extremely comfortable and productive.

A man in a dark green polo shirt is operating a bright green Deutz-Fahr tractor inside a large, modern greenhouse. The tractor is positioned on a raised bed of soil. The greenhouse structure is made of a complex network of metal pipes and translucent plastic panels, creating a grid-like pattern overhead. The lighting is bright and even, highlighting the details of the tractor and the man's focused expression.

BUSINESS IS BLOOMING WITH PLANTS FOR POTS, BORDERS AND BALCONIES. FOR GARDENERS WHO GROW ORNAMENTAL PLANTS, EVERY SQUARE INCH COUNTS WHEN IT COMES TO PRODUCTION. THE CHALLENGE IS TO ENSURE GOOD WORKING PROCESSES AND TRANSPORT LOGISTICS IN SMALL SPACES. THE NEW RANGE OF EXTREMELY AGILE SPECIALTY TRACTORS FROM DEUTZ-FAHR HELPS EMPLOYEES TO FLOURISH, TOO.



3 Standard Hydraulic Remotes make the 80F the perfect match for almost any application.



Simple to understand and easy to operate controls.



Intuitive and easy to understand gauges are perfect for any fleet.

80F KEYLINE SIMPLICITY, FUEL ECONOMY AND RELIABILITY.

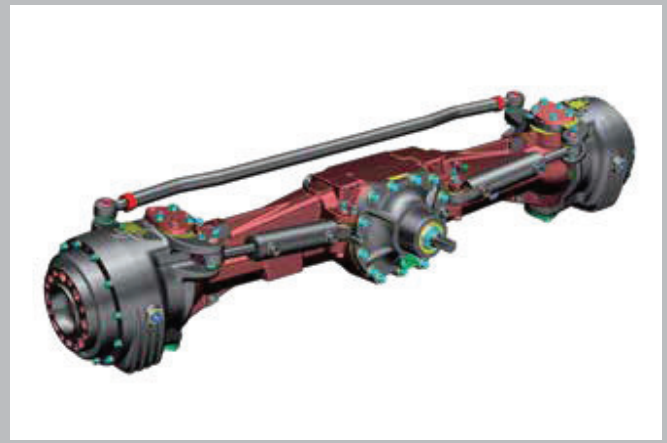
The 80F Keyline is designed to be simple, reliable and economical. On its own or as part of a fleet, this is the perfect narrow tractor for your operation. 3 sets of hydraulic remotes combined with the 15 x 15

Deutz-Fahr transmission provide excellent flexibility for almost any task. Simple to use and understand controls are all within reach of the operator on the class leading platform.



A ONE-OF-A-KIND PREMIUM,
PURPOSE-BUILT, LOW-PROFILE
UTILITY TRACTOR.





Front axle: 50-degree steering angle; electro-hydraulic 4wd; integrated front axle brakes; fully locking differential.



The rear 3-point hitch: up to 7,900 lb (4,525 kg) lifting capacity, extremely precise control. 540/540E rear PTO as standard.



Stop&Go system: stop and start the tractor using only the brake pedal.

Low-Profile in Style

Whether you work with special crops, in a chicken house or poultry shed, in the stables or in horticulture and agriculture – the new 5G TB is not designed for low-profile jobs alone. This premium 4-Cylinder tractor is designed from the ground up to be a low-profile tractor that also excels at everyday utility work. Highly efficient FARMotion engines with 80 hp, 40 x 40 transmission with Powershuttle shifting, Stop&Go for starting up and stopping using just the brake pedal, SDD fast steering for achieving full steering lock with half as many turns of the wheel, four-wheel brakes, complete your work in less time and with more precision and reliability than ever before with the large 5G TB specialty tractor.

The driver's platform – which is suspended in a vibration-free position and has a new digital instrument cluster – fulfills the most demanding of comfort requirements. With the new 5G TB you can massively increase your productivity with a tractor built for your application – A true Low-Profile tractor!

The new driver platform: vibration-free mounting
on silent blocks and extremely ergonomic.

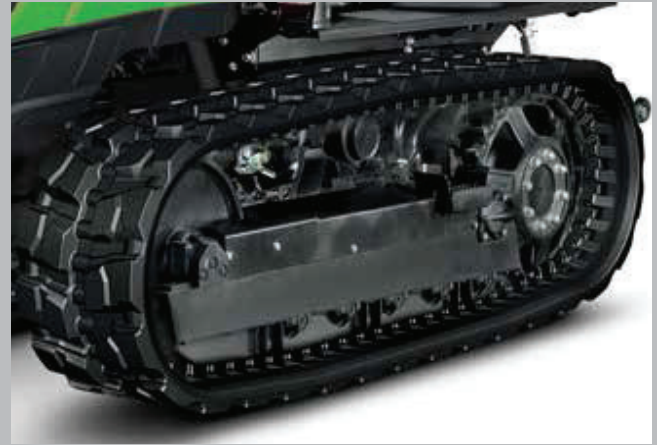


**EXTREME TRACTION.
EXTREME SPECIALTY.**

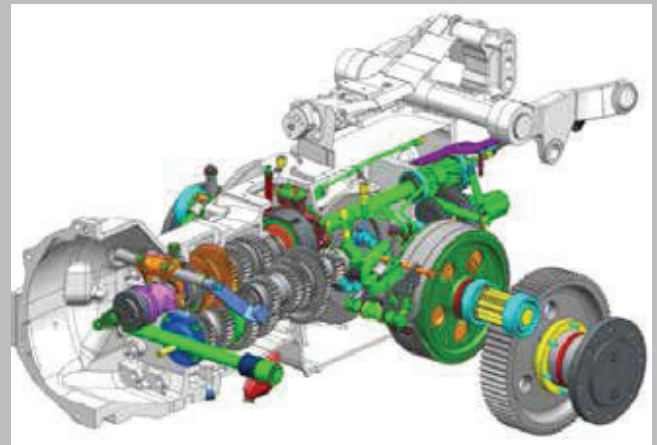




FARMotion diesel engine delivers high torque with "No Maintenance" emissions.



Choice of steel or ComfortTrack rubber tracks by CAMSO® to match your needs and the environment.



Mechanical gearbox with synchronized shuttle. Simple hydraulic-assisted clutch and brake steering system is controlled using hand levers.

DEUTZ-FAHR presents a new, unique specialty for maximum productivity when working in the most challenging soil and terrain conditions – the 5 Series KF crawlers. Whether for wine growing, forestry or agriculture, the new crawler tractors with 75 horsepower (56 kW) and choice of steel or rubber tracks are so well balanced that they can perform any job in even the most extreme situations. The absolute highlight is the new ComfortTrack track design (by CAMSO®) with its iron core and rubber surface. The large ground contact area ensures maximum traction and minimal ground pressure, while the rubber surface provides additional protection for the soil and makes sense for road transport. The single-piece hood

with Deutz-Fahr family styling opens to reveal the powerful FARMotion diesel powerplant. High torque combines with low fuel consumption and reliable "No Maintenance" emissions - no DPF and no need to add DEF. A mechanical 16x16 transmission with synchronized shuttle and hydraulic-assisted steering using 2 hand levers makes operating the tractor simple. An open center hydraulic system boasts 19.8 gpm (75 lpm) of total flow and includes 3 rear remote valves (and 2 sets of mid couplers). An independent 540/540E RPM rear PTO engages via push button, and a massive 6,850 lb (3,170 kg) rear hitch lift capacity ensures that the new 5080 KF crawler is ready to work in your environment.

TECHNICAL DATA		5D Series			Agroplus
		5080.4 DV	5080.4 DF	5080.4 DF ECOLINE	80F Keyline
ENGINE					
Manufacturer		Deutz-Fahr	Deutz-Fahr	Deutz-Fahr	Deutz-Fahr
Model		FARMotion	FARMotion	FARMotion	FARMotion
Emissions		Tier 4	Tier 4	Tier 4	Stage 4 / Tier 4
Cylinders / displacement	No. / liters	4 / 3.8	4 / 3.8	4 / 3.8	3 / 2.9
Turbocharged & intercooled		●	●	●	●
Maximum power (ECE R120) @ 2000 rpm	HP	80	80	80	80
Rated power (ECE R 120) @ 2200 rpm	HP	75	75	75	75
Maximum torque	lb-ft / Nm	260 / 353 @ 1400 rpm	260 / 353 @ 1400 rpm	260 / 353 @ 1400 rpm	260 / 353 @ 1400 rpm
Torque rise	%	46	46	46	43
Electronic engine management		●	●	●	●
Standard fuel tank capacity	gal	14.5	14.5	14.5	14.5
Standard fuel tank capacity with front lift + PTO	gal	9.2	9.2	-	-
Auxiliary fuel tank	gal	7.9	10.5	-	-
SHUTTLE					
Mechanical synchronized shuttle		-	-	●	●
Hydraulic power shuttle with Stop&Go system		●	●	-	-
MECHANICAL TRANSMISSION					
5 speed gearbox		●	●	●	●
Number of speeds with underdrive and creeper gear	FW+RV	-	-	30 + 15	15 + 15
POWERSHIFT TRANSMISSION					
5 speed gearbox		●	●	●	●
Number of speeds with underdrive and creeper gear	FW+RV	45 + 45	45 + 45	-	-
Power shift speeds	No.	3 (hi/med/lo)	3 (hi/med/lo)	-	-
REAR PTO					
Mechanically engaged		-	-	●	●
Electro-hydraulically engaged		●	●	-	-
PTO 540		●	●	●	●
PTO 540/540E/1000		○	○	○	-
PTO 540/540E and groundspeed PTO		○	○	○	-
FRONT PTO					
Electro-hydraulically engaged		●	●	-	-
PTO 1000 rpm		○	○	-	-
AXLES AND BRAKES					
Four wheel drive engagement		Electro-hydraulic	Electro-hydraulic	Mechanical	Mechanical
Differential lock engagement		Electro-hydraulic	Electro-hydraulic	Mechanical	Mechanical
Independent parking brake		●	●	●	●
Hydraulic trailer braking system		●	●	●	●
Hydrostatic steering with independent pump		●	●	●	●
Axle steering angle	degrees	60	60	60	55
HITCH					
Mechanical rear hitch		●	●	●	●
Electronic rear hitch		○	○	-	-
Rear lift capacity	lb	5,730	6,170	6,170	5,952
Front hitch		○	○	-	-
Front hitch capacity	lb	3,300	3,300	-	-
HYDRAULIC SYSTEM					
Fixed displacement pump (standard)	gpm	14.3	14.3	11.9	11.9
Fixed displacement double pump (optional)	gpm	16.9	16.9	-	-
Rear hydraulic remote valves	No.	3	3	2 standard; up to 3	3
Mid mounted hydraulic remote couplers	No.	Up to 2	Up to 2	-	-
OPEN STATION					
Straddle-type platform		●	●	●	●
Digital front display		●	●	●	●
2-post safety frame		●	●	●	●
Vinyl seat with mechanical suspension		●	●	●	●

Technical data is based on manufacturer's estimates. In order to deliver a product that is more and more in line with your needs, DEUTZ-FAHR reserves the right to update the specifications of its machines at any time without notice.

TECHNICAL DATA	5D Series			Agroplus
	5080.4 DV	5080.4 DF	5080.4 DF ECOLINE	80F Keyline
CAB				
4-post structure suspended on silent-block	●	●	-	-
HVAC system	●	●	-	-
Horizontal exhaust	●	●	-	-
DIMENSIONS AND WEIGHTS				
Overall rear fender width (min-max)	in	45.8-50.9	57.2-64.4	57.1-76.5
Front tires		240/70R16	280/70R16	280/70R16
Rear tires		380/70R20	380/70R24	380/70R24
Length from front clevis support to the rear lift arm in lower position	in	155.9	155.2	155.2
Minimum overall width	in	50.9	62.5	57.1
Height at cab	in	89.4	91.4	-
Height at safety frame	in	-	-	96.2
Height at engine hood	in	58	54.8	54.8
Height at rear fenders	in	49.8	46.1	46.1
Ground clearance (front axle)	in	9.2	9.7	9.7
Wheelbase	in	85.8	84.3	84.3
Approx. base weight (min-max)	lb	6,237-6,768	6,056-6,889	6,106
				5,750

●: standard ○: optional -: not available Dimensions are approximates, and can vary slightly.



Technical data	5KF SERIES			
		5080 KF - Rubber Track	5080 KF - Steel Track Narrow	5080 KF - Steel Track Wide
ENGINE				
Emission		Stage 4 / Tier 4		
Manufacturer		FARMotion		
Cylinders / displacement	No. / liters	3 / 2.9		
Bore x stroke	in	4.1 x 4.5		
Aspiration		Turbocharged with intercooling		
High-pressure injection		Common rail @ 29,000 PSI (2,000 bar)		
Gross power at 2,000 rpm	HP	80		
Rated power at 2,200 rpm	HP	75		
Max. torque @ 1,600 rpm	lb-ft / Nm	252 / 342		
Torque rise	%	43%		
Fuel tank capacity	gal	25		
SHUTTLE TYPE				
Synchro-shuttle transmission		●		
Single disc clutch diameter	in	12		
MECHANICAL MANUAL TRANSMISSION				
Speeds (Forward x Reverse)		16 x 16		
Gears and ranges		4 gears x 4 ranges		
Min. - Max. speed	mph	0.93 - 8.8		
REAR PTO				
PTO type		Independent, 540/540E		
PTO clutch		Wet disc clutch		
PTO activation		Push button		
STEERING SYSTEM				
Steering system type		Hydraulic-assisted clutch and brake steering		
Steering control		2 hand levers		
POWER LIFT				
Mechanical 3-point hitch control		●		
Lifting capacity	lb	6,850		
Position and draft control		●		
HYDRAULICS SYSTEM				
Hydraulic system type		Open center		
Total hydraulic flow	gpm	19.8		
Flow to remote valves and hitch	gpm	13.2		
Rear remote valves		3 std		
Mid couplers		2 sets of couplers		
PLATFORM				
Digital dash display		●	●	
Folding ROPS Canopy		●	●	●
Suspended vinyl seat		●	●	
DIMENSIONS AND WEIGHTS				
Axle spacing	in	65.5	65.0	65.0
Track length	in	44.9	41.3	53.15
Track width	in	15.7	12.2	15.7
Idlers / rollers		5 bottom / 1 top	5 bottom / 1 top	5 bottom / 1 top
Track contact area	ft ²	11.0	14.2	14.2
Tractor length	in	134.6	134.6	134.6
Tractor Width	in	60.2	53.5	68
Ground clearance	in	7.9	7.9	7.9
Height over safety frame	in	103.5	103.5	103.5
Base shipping weigh	lb	9,500	9,390	11,574

Technical data is based on manufacturer's estimates. In order to deliver a product that is more and more in line with your needs, DEUTZ-FAHR reserves the right to update the specifications of its machines at any time without notice.

●: standard ○: optional -: not available

Technical data		5G TB Series	
		5080G TB	
ENGINE			
Emission			Stage 4 / Tier 4
Manufacturer			FARMotion (SDF)
Cylinders / displacement	No. / liters		4 / 3.849
Aspiration			Turbocharged with intercooling
High-pressure injection			Common rail @ 29,000 PSI (2,000 bar)
Bore/stroke	in		4.06x4.55
Max. power @ 2,000 rpm	HP		80
Rated power @ 2,200 rpm	HP		75
Max. torque	lb-ft		252
Torque increase	%		42
Fuel tank capacity	gal		22.5
REVERSING GEARBOX			
Hydraulic reversing gearbox - Power shuttle			●
Wet multi-disc main clutch			●
Stop&Go function			●
MECHANICAL GEARBOX WITH HI-LOW FUNCTION (OPTIONAL)			
5-speed gearbox			●
Gears	No.		40x40
De-clutch button and HI/LOW power shift button on shift lever			●
REAR PTO			
Wet multi-disc PTO clutch			●
540/540E PTO speeds			●
Push-button engagement			●
Ground-speed PTO			○
AXLES AND BRAKES			
Hydraulic braking system			●
Independent parking brake - hand lever			●
Four-wheel braking system with integrated front axle brakes			●
Hydrostatic steering with independent pump			●
SDD rapid steering system			○
POWER LIFT			
Mechanically controlled rear 3-point hitch			●
Rear lift capacity (standard)	lb		7,900
Front hitch lift capacity (optional)	lb		4,600
HYDRAULIC SYSTEM			
Hydraulic flow to remote valves	gpm / lpm		14.5 / 55
Open center hydraulic system			●
Rear remote valves	std / opt		3
PLATFORM			
Low profile, straddle mount isolated platform			●
Roll bar with two posts, foldable			●
Digital and analog instruments			●
Mechanically suspended and adjustable driver's seat			●
DIMENSIONS AND WEIGHTS			
With rear tires			420/70 R24
Max. length w/o lower linkage	in		162.4
Width (min./max.)	in		76.3-92.1
Ground clearance without drawbar	in		11.4
Wheelbase	in		94.5
Height at rear wing	in		44.6
Max. weight with roll bar	lb		7,050
Maximum permitted gross weight	lb		13,650

Technical data is based on manufacturer's estimates. In order to deliver a product that is more and more in line with your needs, DEUTZ-FAHR reserves the right to update the specifications of its machines at any time without notice.

Dealer

Deutz-Fahr America
535 Hurricane Shoals Court
Suite 100
Dacula, GA 30019
www.deutz-fahramerica.com



Deutz-Fahr and its logos are trademarks of Same Deutz-Fahr Italia S.P.A. in the U.S. and other countries used under license by PFG America, LLC. PFG America and logo are trademarks licensed to PFG America, LLC, which is the exclusive distributor of the Deutz-Fahr brand in the USA. Other logos are the trademarks of their respective owners. The standard and optional equipment and the availability of individual models might vary from one country to the next. PFG America reserves the right to undertake modifications without prior notice to the design and technical equipment at all times without any obligation whatsoever to make such modifications to units already sold. This brochure is for descriptive purposes only and while reasonable efforts were made to ensure that the specifications, descriptions, and illustrations in this brochure are correct at the time of printing, these are also subject to change without prior notice. Illustrations might show optional equipment, and might not show all standard equipment. PFG America disclaims all representations and warranties, express or implied, or any liability from the use or reliance upon this brochure. Power and other specifications are based on various standards or recommended practices not addressed herein. ©2019 PFG America, LLC. All Rights Reserved.